

BD-388II

BD-388II Series

Laser-Like Long range CCD scanner is even Simpler

More Powerfully More Easily

The Enhanced, Upgraded and More Powerful Linear Long Range scanner



1. Excellent value for popular barcode reading

With the rapidly growing and wide application for barcode symbology application, Birch released the enhanced linear imager long range CCD scanner which offers laser-like and high performance barcode reading: 300 scans/second, 260mm scanning distance for all of barcode reading including EAN 128 code and GS1 data bar.

2. Multiple 4-in-1 interface in one scanner

BD-388II is built with Keyboard, RS232 USB and Wand interface. It supports use replaceable interface cable by RJ45 phone jack; different interface can be interchangeable just by changing cable. It is simplified installation and integration and good to lessen your inventory load.

It supports to connect RS232 interface directly to your PC by Pin 9 with 5V power without external power adapter.

3. User Friendly and PnP design

The Intuitive scanning and plug and play design can be used directly with your computer without additional device. Furthermore, the ergonomic and gun type design body offers maximum comfort for every day use.

4. Built with professional decoder

BD-388II is built with enhanced scan rate and faster decoding (increased 20% more speed) ability. It supports USB downloading/ uploading and re-set functions.



Ordering Information:

BD-388IIM: Linear long range scanner, PS/2 cable, Black or Beige

BS-388IIR: Linear long range scanner, RS-232 cable, Black or Beige

BS-388IIU: Linear long range scanner, USB cable, Black or Beige

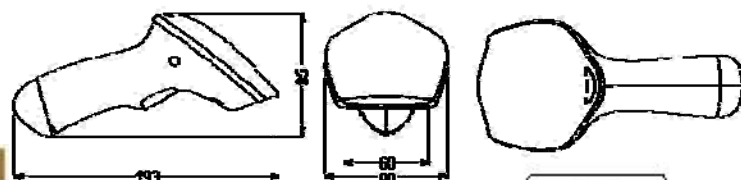
HDR-5P: High stand/hand free holder, Black or Beige



Technical Specifications

Model	BD-388II series
Optical	
Width of Window	100 mm @ 20mil, PCS 90%
Light Source	635 nm
Sensor	Linear CCD Sensor
Scanning Speed	300 scans/sec ±10%
Depth of Field	260mm @ 20mil, PCS 90%
Ambient Light	100,000 Lux Max. @ Direct sun light
Reading Performance	
Symbologies	All UPC/EAN/JAN, EAN128 Code, Code 39, Code 39 Full ASCII, Code32 / Italian Pharmacy, Code 128, CODABAR/NW7, Interleave 25, Industrial 25, Matrix 25, MSI/PLESSEY, Telepen, Code 93, Code 11, China Postage, Code 26, LCD25, GS1 DataBar
Resolution	4mil
PSC	0.45 PCS value
Electrical	
Interface	RS232, KB, USB

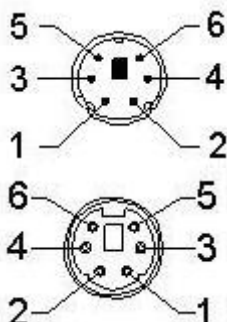
Connector	RJ 45C 10Pins
Voltage	DC +5V ±5%
Operating Current	165 – 175mA
Standby Current	30 – 45mA
Environment	
Operating Temperature	0°C to 50°C (32°F to 122°F)
Storage Temperature	-20°C to 70°C (-4°F to 158°F)
Relative Humidity	20% to 95% (Non-condensing)
Physical	
Material	ABS Plastic & Rubber
Weight	Approx 130g
Dimension	193 x 90 x 85(mm)
Durability	
Drop test	100cm (40inch) Drop on Concrete Surface
Life Time	Light Source: 40,000 hours; Trigger Switch: 1,000,000 times; MTBF: 20,000 hours



PIN ASSIGNMENTS

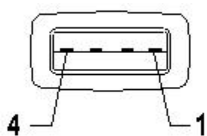
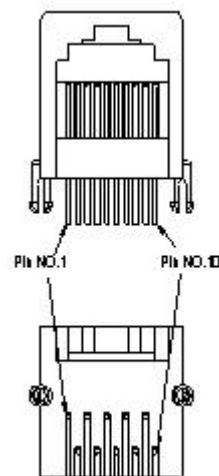
Keyboard interface

Mini DIN 6 MALE		Mini DIN 6 FEMAL	
Pin No.	Function	Pin No.	Function
1	HOST DATA	1	KB DATA
3	GND	3	GND
4	Vcc (+5V)	4	Vcc (+5V)
5	HOST CLK	5	KB CLK



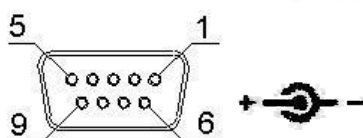
Decoder Data Output (Type RJ45 10P)

Pin No.	Function	Pin No.	Function
1	RTS	6	KB CLK
2	HOST DATA	7	TXD
3	GND	8	KB DATA
4	HOST CLK	9	RXD
5	Vcc (+5V)	10	CTS



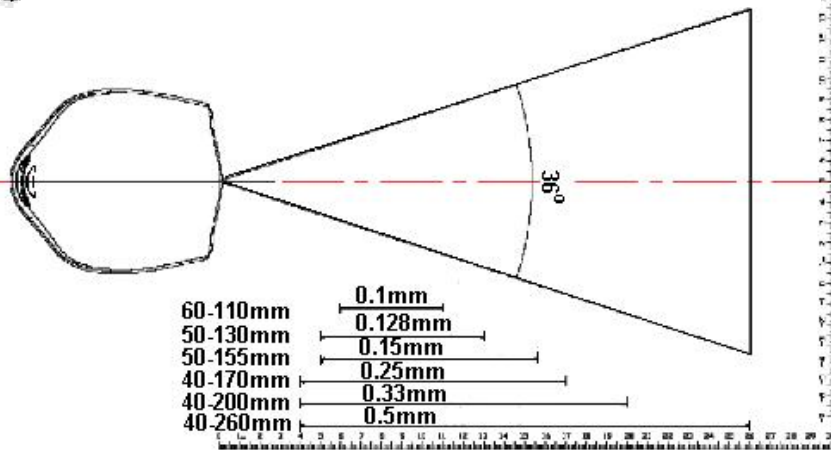
USB interface

USB A Type Male	
Pin No.	Function
1	Vcc
2	D-
3	D+
4	GND



RS-232 interface

DB 9 Female	
Pin No.	Function
2	TXD
3	RXD
5	GND
7	CTS
8	RTS
9	Vcc/+5V
Power Lead	Vcc/+5V



Birch is a trademark of Birch Technology U.S.A. Inc
 All other products, brands or companies are trademarks or registered trademarks of their respective companies.
 Specifications are subject to change without prior notice

Contact us for details